



Having Trouble?

Chat with us on your phone

Simply point your phone camera towards the QR code or see our website



ergomaxoffice.com

or email at

customerservice@ecintel.com

Monday - Friday 7:00AM - 3:30PM PST

Ergonomic Office Table



Purchased your product online?

We would really appreciate it if you can share your experience with others by reviewing our product on the website from which you purchased.



Have Questions or Issues? Need help with assembly?

Contact us and we will resolve immediately.

Simply point your phone camera towards the QR code or see our website

Support Hours M-F 7:00AM - 3:30PM (US Pacific Time)



Chat with us:
ergomaxoffice.com



Email:
customerservice@ecintel.com



Call:
951-319-4433

Warranty

Limited 1-Year Manufacturer Warranty on ergomaxoffice.com

Manufacturer warranty covers:

- Parts that are deemed defective within 30 days will be shipped free of charge.
- Any warranty claim after 30 days, will require shipping to be paid by the customer.

Any visible damage due to the neglect, misuse, or abuse will void the limited warranty of the product.

For further information, please contact us:

Chat with us: ergomaxoffice.com



Simply point your phone camera towards the QR code or see our website.

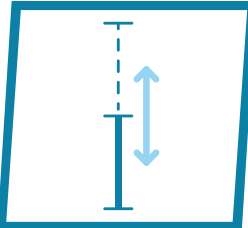
Email: customerservice@ecintel.com

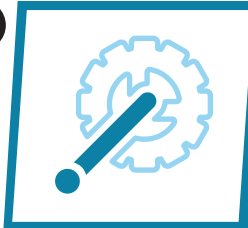
Purchased your product online?

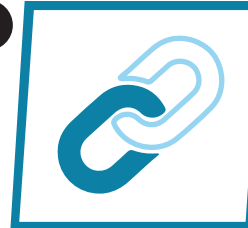
We would really appreciate it if you can share your experience with others by reviewing our product on the website from which you purchased.



Heavy Duty Multi-Function Table

1  Height Adjustable

2  Manual Crank

3  Durable Material



Contents 2

What is included 3

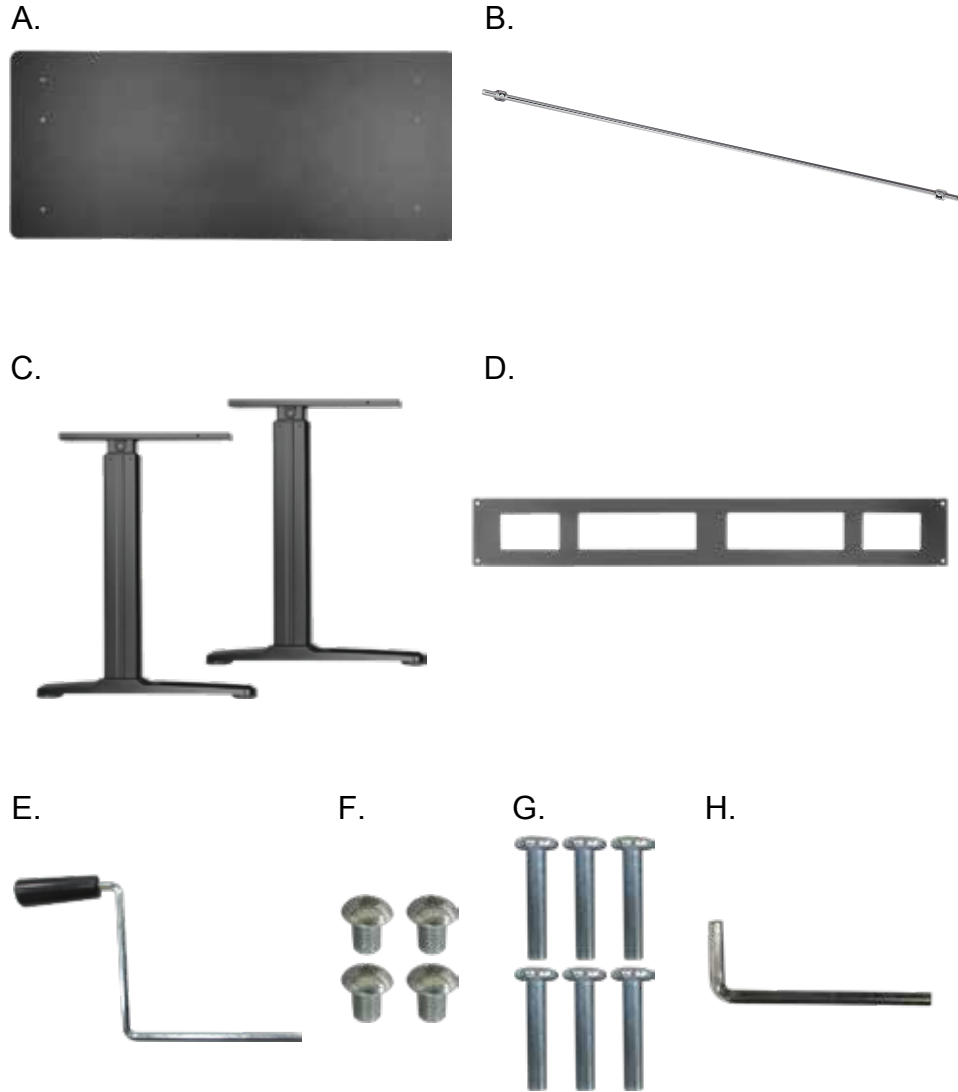
Assembly instructions 4

Video Instructions 5

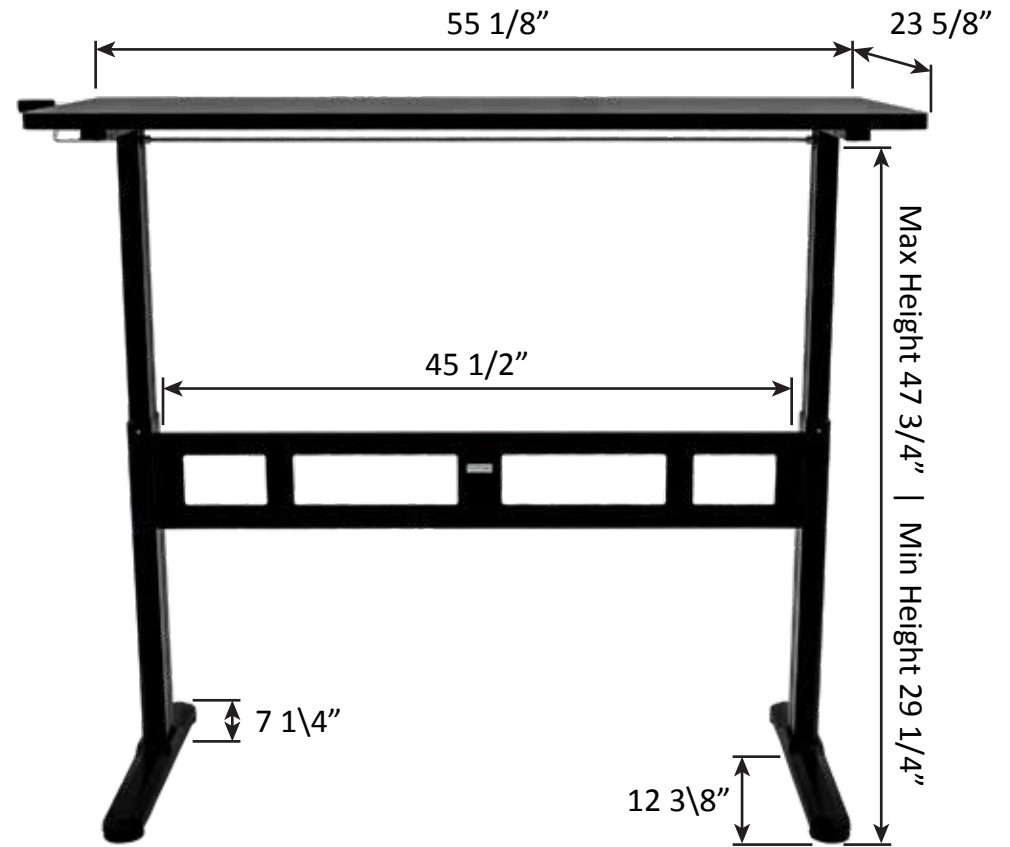
Infographics 6-9

Warranty 10

What is included



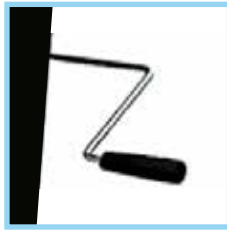
Dimensions





Adjustable Height

Smooth and quick height adjustment.



Removable Crank

Easily height adjuster.



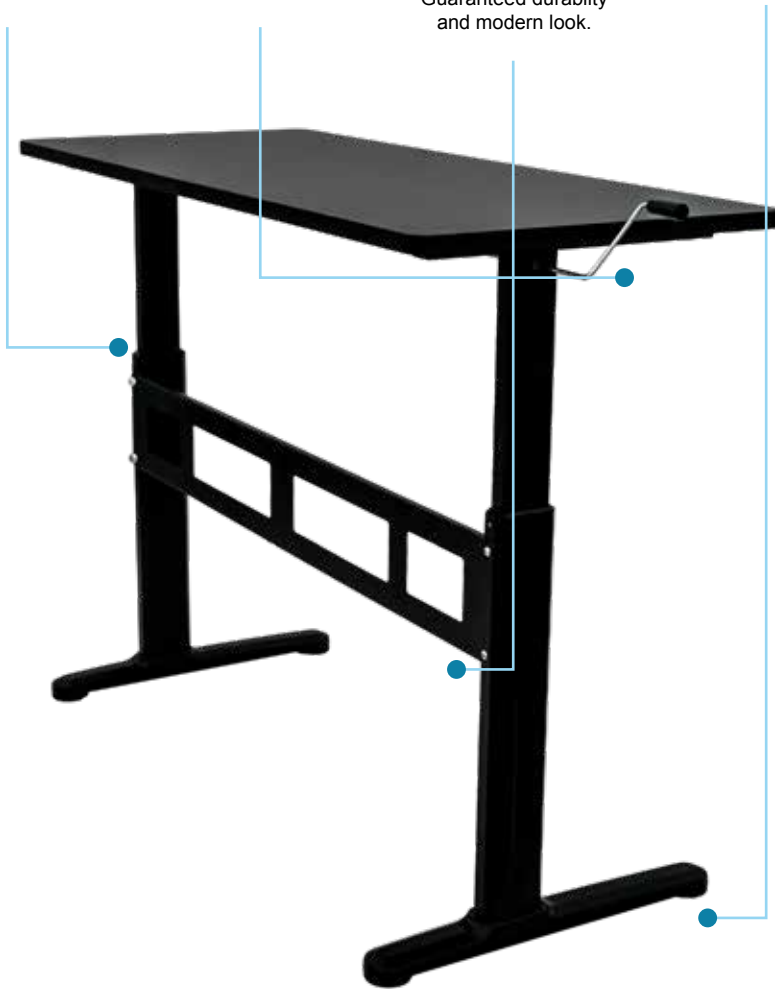
Steel Frame with Crossbar

Guaranteed durability and modern look.

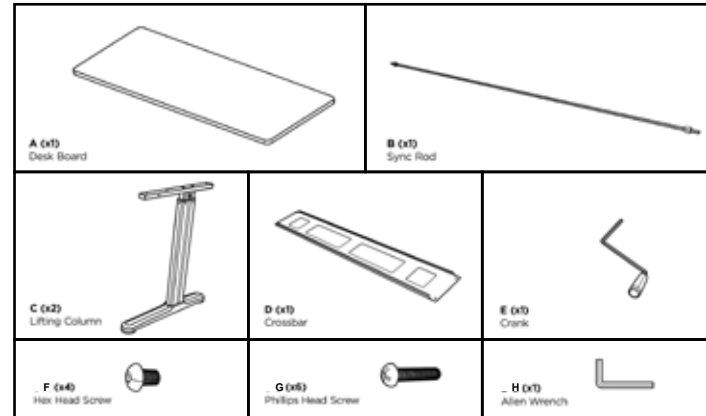


Sturdy Base

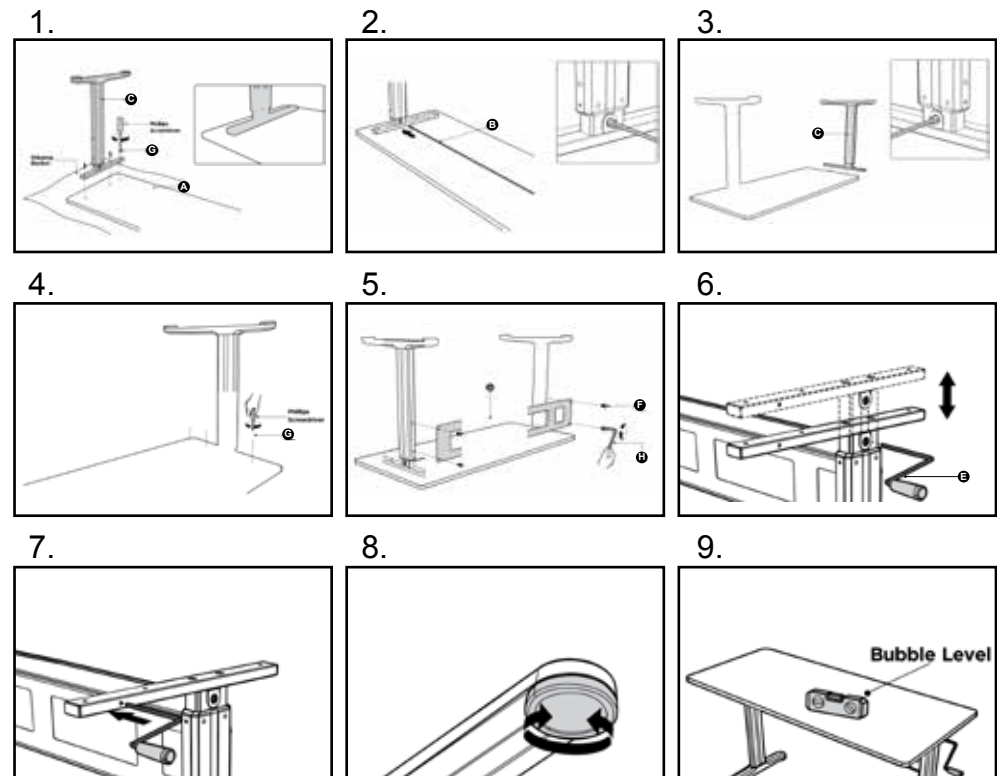
Can support up to 88lbs.



Assembly Instructions



<https://ergomaxoffice.com/product/abc102bkt/>

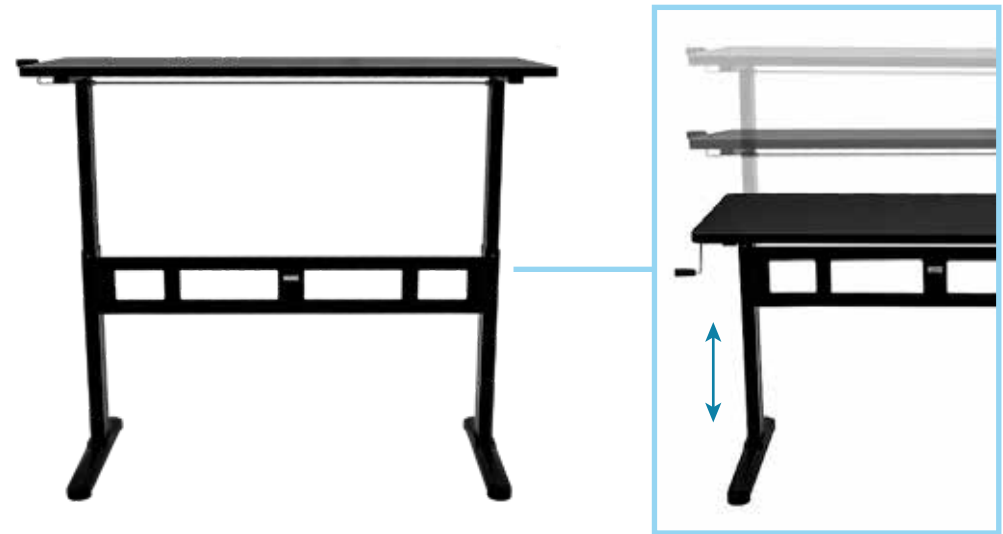


Video Instructions

Please use your smart phone camera to scan the QR code. Simply point your camera and let the camera scan the code below, and click on the link that opens up.



<https://ergomaxoffice.com/product/abc102bktt/>



Minimum height of 29 inches and maximum height of 47 inches

